

LGMG

T26JE

TELESCOPIC BOOM LIFT

LGMG's new electric telescopic boom aerial work platform is equipped with a lithium battery, which has the advantages of low noise and zero emissions. The maximum working height of the platform ranges from 21.8 to 29.8 meters (71' 6" / 97' 9"). Platform accommodates up to 3 people and 450/300kg (992/661 lbs) dual capacity design for increased work efficiency. Excellent performance in driving performance, stability and operating precision, suitable for various harsh working environments.



LGMG Green Tech Telescopic Boom Lift

SPECIFICATIONS

MODELS	T26JE (T85JE)	
	Metric	Imperial
Measurements		
Work Height Max.	27.9m	91'6"
Platform Height Max.	25.9m	85'
Horizontal Outreach Max.	21.6m	70'10"
Platform Length	2.44m	8'
Platform Width	0.9m	2'11"
A Stowed Length	12.8m	42'
Length-Transport (jib tucked)	11m	36'1"
B Overall Width	2.5m	8'2"
C Stowed Height	2.82m	9'3"
Height-Transport	3.03m	9'11"
D Wheelbase	2.85m	9'4"
E Ground Clearance	0.4m	1'4"

PRODUCTIVITY		
Max. Platform Occupants	2 (unrestricted) / 3 (restricted)	
Platform Capacity (unrestricted)	300kg	661 lbs
Platform Capacity (restricted)	450kg	992 lbs
Turntable Rotation	360°Continuous	
Drive Speed-Stowed	5km/h	3.1mph
Drive Speed-Raised	0.8km/h	0.5mph
Gradeability	45%	45%
Max. Wind Speed	12.5m/s	28mph
Turning Radius-Inside	2.04m	6'8"
Turning Radius-Outside	4.13m	13'7"
Max.Slope	5°/5°	5°/5°
Tire Type	RT Foam-filled	
Tire Size	15-625	15-625

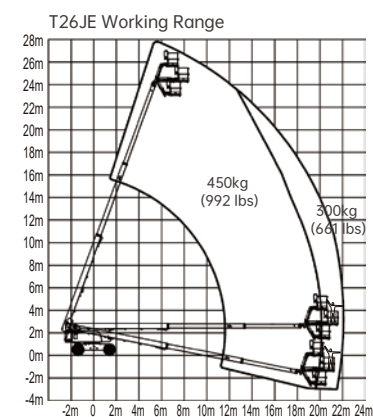
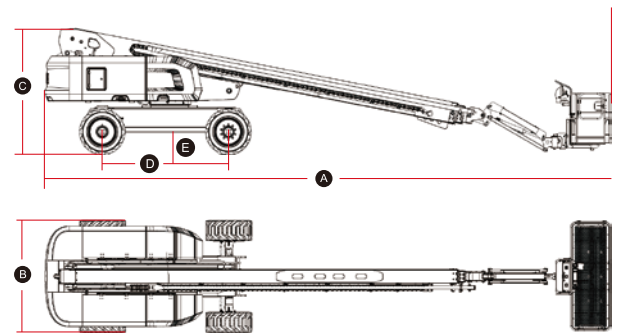
POWER		
Power Source	80V DC 542Ah	

HYDRAULIC SYSTEM		
Hydraulic Oil Volume	138L	36.5gal

WEIGHT		
Machine Weight (CE/ANSI)	18200kg	40124 lbs

STANDARD FEATURES	
Proportional control	Emergency stop button
Horn/Hour meter	Auto-leveling platform
Descent alarm	Anti-collision protection
Flashing beacons	Over-tilt protection system
Cylinder bellows	Platform control cover
Platform tool box	Overload sensing system
Oscillating axle	Intelligent diagnostic system
Telematics connector	RT Foam-filled tires

OPTIONAL	
Telematics	Solid tires
Glazier kit	Solid non-marking tires
Auxiliary rail	Foam-filled tires
AC power to platform	Foam-filled non-marking tires
Half-height mesh platform	Biodegradable hydraulic oil



Please contact LGMG or a local dealer for more details.
LGMG reserves the right to change technical data without prior notice. All photos and pictures in this brochure are for promotional purposes only.
This brochure comes into effect in May, 2023.

LINGONG HEAVY MACHINERY CO., LTD.

Address: No. 2676, Kejia Road, Jinan, Shandong, China
Email: sales@lmgm.com.cn Tel: +86 531 6787 9283

LGMG Europe B.V.

Address: Donker Duyvisweg 301, 3316 BL Dordrecht, The Netherlands
Email: sales@lmgmeurope.com Tel: +31 850 642 777

LGMG North America Inc.

Address: 4105 Live Oak Drive, Suite 100, The Colony, Texas 75056 United States
Email: sales@lmgmna.com Tel: +1 833 288 5464

www.lmgmlifts.com



LGMG
RELIABILITY IN ACTION