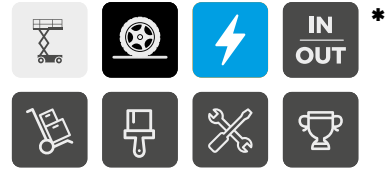


ELECTRIC SCISSOR LIFTS



COMPACT 10 COMPACT 12 COMPACT 14



SMART RUGGED DESIGN

- > Impact-proof counterweight with integrated ladder protection, AC motors and charger plug
- > Reinforced guardrails with additional vertical stile for maximum durability

MAXIMIZED POTENTIAL

- > Access all worksites: foldable guardrails, lateral & longitudinal forklift pockets
- > IN/OUT usage* with full height driving and no load restriction

UNIQUE USER EXPERIENCE

- > Proportional movements for precise driving (AC motors)
- > Ergonomic upper control box with grab handle & speed selector

UNBEATABLE SERVICEABILITY

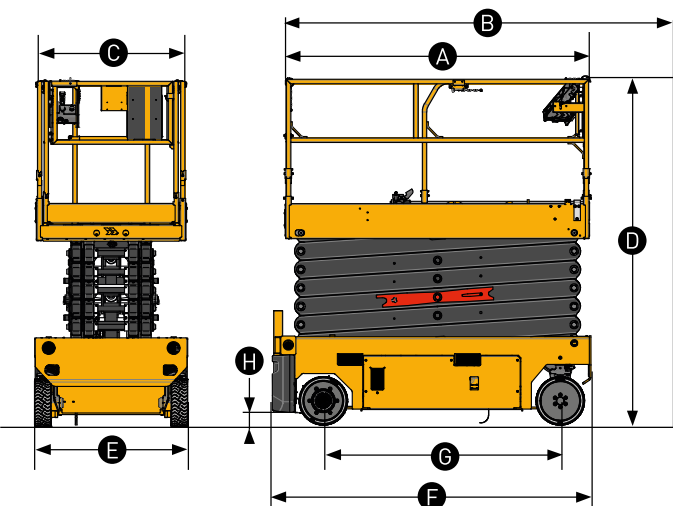
- > Haulotte Activ'Energy Management for battery care
- > On-board & remote settings and diagnostic tools with Haulotte Diag, Haulotte Activ'Screen and Sherpal telematics solution

* COMPACT 14: indoor only

ELECTRIC SCISSOR LIFTS

TECHNICAL DATA

	COMPACT 10 AE	COMPACT 12 AE	COMPACT 14 AE
Working height	10 m	11.75 m	13.75 m
Platform height	8 m	9.75 m	11.75 m
Max. drive working height	8 m	9.75 m	11.75 m
Lift capacity - inside	450 kg (3 pers.)	320 kg (3 pers.)	
Lift capacity - outside	450 kg (1 pers.)	320 kg (1 pers.)	NA
Lift capacity on the extension	120 kg		
A Platform length	2.4 m		
B Platform length - extended	3.32 m		
Length - extension	0.92 m		
C Platform width - outside	1.17 m		
D Height - stowed	2.35 m	2.47 m	2.72 m
Height - guardrails lowered	1.65 m	1.77 m	2.02 m
E Overall width	1.20 m		
F Length	2.5 m		
G Wheelbase	1.86 m		
H Ground clearance - center	12.5 cm		
Ground clearance - deployed potholes	2 cm		
Drive speed	0.7 / 1.5 / 4.2 km/h		
Gradeability	25 %		
Tilt (longitudinal / lateral)	3.5° / 1.5°		
Turning radius - outside	1.83 m		
Non-marking tyres	15 x 5		
Batteries	24 V - 225 Ah (C20)		
Hydraulic system capacity	10 l	14 l	
Weight	2 490 kg	2 940 kg	3 070 kg



STANDARD EQUIPMENT

- > Haulotte Activ'Energy Management: Smart CAN charger
- > 27A multivoltage charger
- > Battery access with swing out tray
- > Battery level indicator
- > Haulotte Activ'Screen (battery charge information, hourmeter, service alerts & failures in code or in text...)
- > Lateral & longitudinal forklift pockets
- > Foldable guardrails
- > Front platform extension
- > AC motors
- > Mobile upper control box
- > 2 drive speeds selector
- > Manual emergency descent
- > Mobile pothole guards
- > MyHaulotte multi-services portal access
- > 2 front steering wheels, 2 rear drive wheels
- > Solid non marking tires
- > Motion alarm
- > Electric brake release system
- > Drop bar entry

OPTIONS AND ACCESSORIES

- > Haulotte Activ'Energy Management: automatic or manual battery water filling systems
- > AGM maintenance-free batteries
- > Secondary guarding system
- > Telematics solutions
- > Pipe cradle
- > Panel carrier
- > Swing gate entry
- > Additional protection of upper & lower control box
- > Basket plug (110 / 230 V)
- > Working light
- > Flashing light (single, dual or 360°)
- > Biodegradable hydraulic oil
- > Cold weather hydraulic oil

