

Model X26J PLUS

COMPACT CRAWLERS

MORE ECONOMIC

- Minimal emissions and noise pollution.

MORE PRODUCTIVE

- Reduce your set-up time with auto-levelling outriggers.
- Unrestricted 230kgs basket capacity.

MORE ACCESS

- Equipped with track drive for easy manoeuvrability in sensitive environments.

SMART DESIGN

- Low weight for ease of transportation and operation in weight restricted areas.



Standard Features

- 0.69 m x 1.34 m Aluminium 2 person platform
- Slide bar rear entry
- Footswitch
- Full proportional control
- Articulating jib
- Powered platform rotator (124°)
- Remote Control (via cable to platform)
- Full Remote Control of drive and stabilization
- Multi-lingual LCD display on platform console
- Platform console position sensor and lock
- Envelope management load sensing system
- Platform designed for ease of removal/changeover
- AC Cable to platform
- 6.5 mm air line to platform
- 12.6 mm waterline to platform
- Engine protection
- Rubber Outrigger Pads
- Cylinder Rod Protection on Outriggers
- Automatic cut-out when out of level
- Powered track extensions/retraction
- 360° non-continuous turntable rotation
- Turntable alignment sensor and gauge
- Three emergency descent systems
- Electro-hydraulic controls
- Full pressure hydraulic controls
- 2nd (high) Drive speed
- Lifting/Tie down points
- Forklift pockets
- Assisted automatic stabilization

Standard Specifications

- | | |
|-------------------------------|---|
| Power Source | |
| • AC electric motor | 230V, 50Hz, 2.2kW |
| • Kubota D902 | 16.1 kw Diesel |
| • Hydraulic oil tank capacity | 60 L |
| Tracks | |
| • Standard | 1.76 m x 0.23 m x 0.38 m
High profile non marking tracks |

Accessories & Options


- 100 A/hr 83 V Lithium ion power pack incl. fast charge system
- 110 V, 50 Hz single phase power system
- 2.10 m x 0.23 m x 0.38 m High Profile Black Rubber Tracks
- 0.60 m x 0.78 m Aluminium single person platform
- Special paint colour

Note: Some options may increase lead time, and some option combinations may not be available.

Model X26J PLUS

COMPACT CRAWLERS

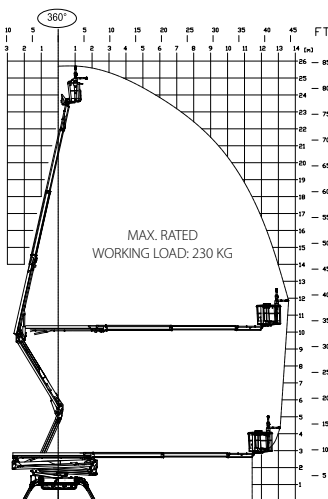
Performance

- Working Height 25.60 m
- Horizontal Working Outreach (Std Platform) 13.75 m
- Platform capacity  /230 kg
- Up & Over Height 10.1 m
- Swing (non continuous) 360°
- Jib - overall length 1.68 m
- Jib - range of articulation: (+/-) 89° (+0/-89°)
- Platform size (standard 2 persons) 0.69 m x 1.34 m
- Platform size (narrow one person) 0.60 m x 0.78 m
- Stowed width (with std. 2P platform) 1.34 m
- Dimensions:
 - A. Stowed width (without platform) 0.99 m
 - B. Stowed height (on tracks) 1.99 m
 - C¹. Stowed length (on tracks) 6.35 m
 - C². Stowed length (on tracks) without Basket 5.98 m
 - D. Outrigger footprint
 - D1. Wide 4.01 m x 3.98 m
 - D2. Narrow 5.4 m x 2.5 m
- Machine weight (with standard platform) ^{1/2} 4,365 kg ¹
- Gradeability 28.7%
- Maximum operating slope 16°
- Max. Approach / Depart angles Front 22° / Rear 26°
- Width of Undercarriage (Retracted/Extended) 0.99 m / 1.49 m
- Max. ground bearing pressure (on outriggers) 4.51 kg/cm²
- Max. drive speed (single speed m/c) Petrol 1.1 km/h
- Basket rotation 124° (+/-62°)

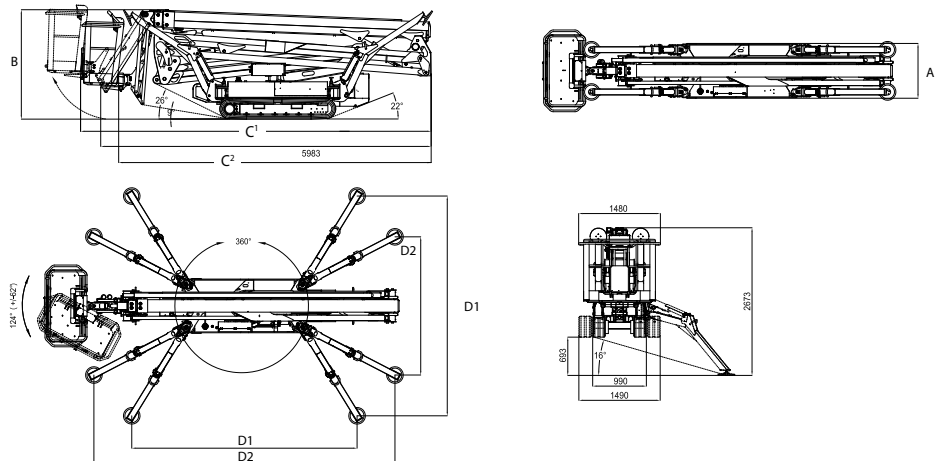


- ¹ Machine weight (with standard platform) Lithium - Ion: 4384 kg
- ² Certain options or country standards may increase weight and/or dimensions.

Reach Diagram



Dimensions



REV. 03/2014
DIMENSIONS REPORTED IN THIS DRAWING ARE NOMINAL. THE REAL VALUE OF EACH DIMENSION CAN BE INFLUENCED BY TOLERANCES IN THE MANUFACTURE OF THE COMPONENTS, PLAY IN THE CONNECTIONS, ELASTIC DEFORMATIONS DUE TO THE EFFECTS OF FORCES

IMPORTANT

JLG is continually researching and developing products and reserves the right to make modifications without prior notice. All data in this document is indicative. Certain options or country standards will increase weight. Specifications may change to meet country standards or with the addition of optional equipment.

Use only JLG approved attachments with proper material handler model/attachment load capacity charts displayed in the operator's cab.

Due to continuous product improvements, JLG Industries reserves the right to make specification and/or equipment changes without prior notification.



JLG EMEA BV

Polaris Avenue 63
2132 JH Hoofddorp
The Netherlands
Tel: +31 (0)23 565 5665
Fax: +31 (0)23 557 3750
www.jlg.com

An Oshkosh Corporation Company