

## 1230ES MAST LIFT

### Platform

- Self-closing saloon style gates
- Removable platform console box
- Lanyard attach points
- Full proportional drive joystick control with integral thumb steer switch
- Proportional lift/lower speed control
- Joystick enable for lift and drive

### Power & Transmission

- 4 x 6V 220 A/hr deep cycle batteries
- Automatic positive traction
- Programmable “Personality” settings
- On-board self-diagnostic testing
- Swing-out battery/electrical compartment doors
- 20 amp automatic battery charger
- Dual motor direct electric front wheel drive & steer
- Dual wheel automatic brakes
- Emergency brake release

### Functional Equipment & Accessories

- Pothole protection system
- AC cable to platform
- Battery condition indicator
- Hour meter
- 3 section steel mast
- Manual descent
- Horn
- Non-marking solid tyres (323 x 100)
- Slope alarm and light
- Tie down lugs

### Available Options

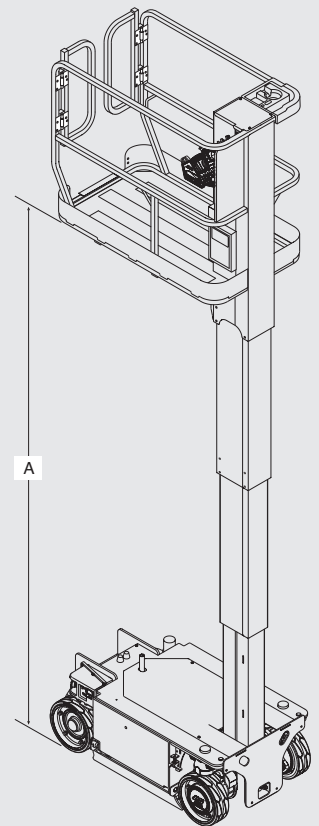
- 220A/hr maintenance free AGM batteries in lieu of standard
- All motion alarm
- Descent alarm
- Alarm package <sup>1</sup>
- Amber strobe light
- Plugs & Sockets



<sup>1</sup> Includes all-motion alarm and amber strobe light.

# 1230ES MAST LIFT

Working Height	5.66 m
A. Platform Height – Elevated	3.66 m
B. Platform Height – Lowered	0.52 m
C. Platform Rail Height	1.10 m
D. Stowed Height	1.65 m
E. Platform Size (W x L)	0.69 m x 1.26 m
F. Overall Length	1.36 m
G. Overall Width	0.76 m
H. Wheelbase	1.04 m
I. Ground Clearance (Stowed)	6.5 cm
Platform Capacity <sup>1</sup>	230 kg
Lift / Lower Time	12 / 12 sec.
Maximum Drive Height	3.66 m
Weight <sup>2</sup>	790 kg
Maximum Ground Bearing Pressure	8.65 kg/cm <sup>2</sup>
Drive Speed Lowered	4.8 km/h
Drive Speed Elevated	0.8 km/h
Gradeability	25%
Turning Radius – Inside	11 cm
Turning Radius – Outside	1.46 m
Tyres (Non-Marking Solid)	323 x 100
Brakes	Automatic Spring Applied
Drive	24V Electric 6 kW
Batteries	4 x 6V 220 A/hr
Charger (120/240V – 50/60Hz)	20 Amp Automatic
Hydraulic System	4.0 L



**JLG Industries, Inc. is a leading designer and manufacturer of access equipment and complementary services and attachments.**

JLG has manufacturing facilities in the United States, France, Romania, China and Belgium. Customers throughout Europe, Scandinavia, Africa and the Middle East benefit from a network of dedicated sales and service operations designed to deliver the highest levels of support.

**JLG is an Oshkosh Corporation company.**

[www.jlgeurope.com](http://www.jlgeurope.com)

<sup>1</sup> Capacity - 1 person + tools and equipment up to maximum 230kg.  
<sup>2</sup> Certain options or country standards may increase weight and/or dimensions.

